

3rd Generation

POWERED STAPLER & RELOADS

TOUCHSTONE

BendoS Q



**Freedom.
Control.
Confidence.**


LAWMED
ADVANCING SURGICAL POSSIBILITIES TOGETHER

Freedom of Choice

TOUCHSTONE

Bendos Q

Comprehensive Reload Range

designed for each procedure to enhance patient outcomes

Freedom.



LAWMED

TOUCHSTONE

Bendos Q



Control.

Controlled and Delicate

Option of Gradual Jaw Opening & Closing and Teardrop Groove Guide
for precise compression and improved stable formation

LAWMED

Adjustable Speed

Tissue Sensing Technology
adjusts firing speed across tissue thickness to deliver
optimal haemostasis

TOUCHSTONE
Bendos Q



Thin/Medium

10 sec

Thick/Extra Thick

20 sec

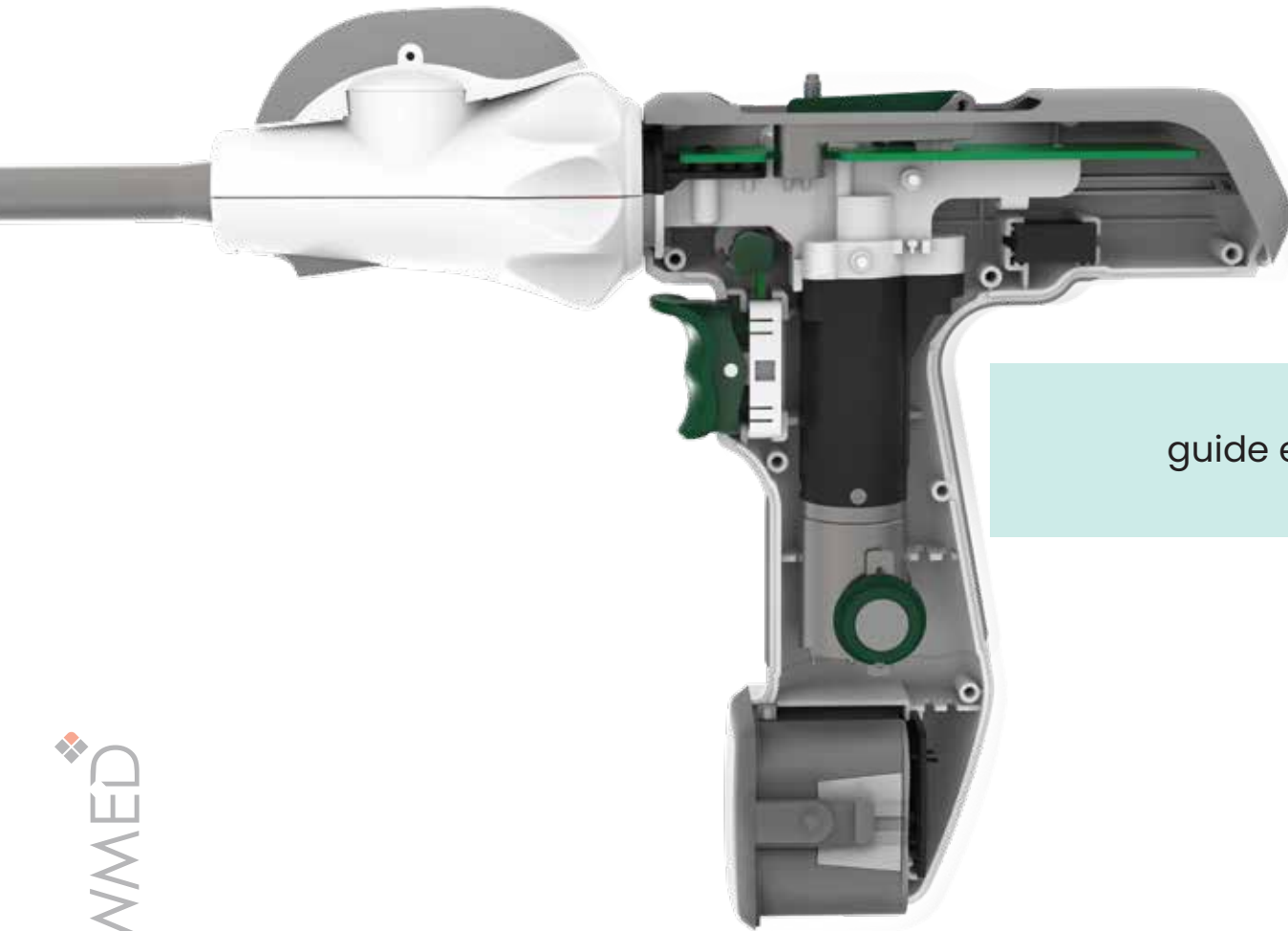
Excessive

Stops

Built-in Self-diagnostic

ensures readiness before every use

TOUCHSTONE
BendoS Q



Audible Cues

guide every step to provide clarity and confidence to the user and the entire surgical team

 **LAWMED**

Freedom. Control. Confidence.

TOUCHSTONE
BendoS Q

Easy Access to Manual Override

to ensure continuous control and procedural safety

Activation History

accessible after surgery when required



Freedom. Control. Confidence.

LAWMED

TOUCHSTONE

Bendos Q

POWERED STAPLER & RELOADS



Handle Code	Shaft Length (mm)	Shaft Diameter (mm)
TSN-S	65	12
TSN-M	160	12
TSN-L	260	12

Cartridge Code	Staple Line Length (mm)	Staple Height (mm)	Compatible Reload	Color
SRG-30W/45W/60W	30/45/60	2.0/2.5/3.0	SMG-30/45/60	○ White
SRG-30B/45B/60B	30/45/60	2.5/3.0/3.5	SMG-30/45/60	● Blue
SRG-45D/60D	45/60	3.0/3.5/3.8	SMG-45/60	● Gold
SRG-45G/60G	45/60	3.5/3.8/4.2	SMG-45/60	● Green

Reload Code	Staple Line Length (mm)	Staple Height (mm)	Color	Trocar Size
MG-30W/45W/60W	30/45/60	2.5	○ White	12
MG-30B/45B/60B	30/45/60	3.5	● Blue	12
MG-45D/60D	45/60	3.9	● Gold	12
MG-45G/60G	45/60	4.8	● Green	15
MT-45T/60T	45/60	5.0	● Black	15
FMG-30AR/ARH	30	2.0/2.5/3.0	● Tan	12
FMG-45AR/ARH	45	2.0/2.5/3.0	● Tan	12
FMG-60AR/ARH	60	2.0/2.5/3.0	● Tan	12
FMG-30PR/PRH	30	3.0/3.5/4.0	● Purple	12
FMG-45PR/PRH	45	3.0/3.5/4.0	● Purple	12
FMG-60PR/PRH	60	3.0/3.5/4.0	● Purple	12
FMG-45TR/60TR	45/60	4.0/4.5/5.0	● Black	15
SMG-30W/45W/60W	30/45/60	2.0/2.5/3.0	○ White	12
SMG-30B/45B/60B	30/45/60	2.0/2.5/3.0	● Blue	12
SMG-45D/60D	45/60	3.0/3.5/3.8	● Gold	12
SMG-45G/60G	45/60	3.5/3.8/4.2	● Green	12
SMT-45T/60T	45/60	4.2/4.5/5.0	● Black	15



NEED MORE INFORMATION

Please contact us at
enquiries@lawmed.co.uk
+44 (0)1932 260 838

TROUCH **H**S **T**ROUNE